



RHEEM HILINE® SOLAR WATER HEATER



SOLAR

1-5

PEOPLE
(See Table)

160 -
300 L

CAPACITY

5
YEAR

WARRANTY*



MODEL NO.
52S300/2NPT



3



*

FEATURES

- **Space saving design** – a complete roof mounted installation featuring a proven, glass enamel lined tank
- Available in 160L and 300L capacities
- **Energy Efficient** – cuts energy use by up to 65%^{1,2}
- **Booster** – choice of 6-star continuous flow gas boost or electric element back up to provide hot water in any weather condition
- Mains Pressure delivers full water pressure to all taps at the same time³
- **Low maintenance** – with no electronics or pumps required, Rheem Hiline® will reliably produce efficient hot water day in and day out
- Eligible for Government rebates and incentives including STCs**
- 5 Year cylinder Warranty*

WHY CHOOSE HILINE®?

Rheem Hiline® is a streamlined roof mounted solar system with proven reliability. Designed and manufactured in Australia, the product works via the thermosiphon principle. This simple system operates without circulating pumps and electronic controllers found on split solar models. And with everything conveniently located on the roof, it frees up usable space at ground level while keeping hot pipe work out of reach of young children.

BOOSTER OPTIONS

The Rheem Hiline® range is available with either in-tank electric or continuous flow gas boosting. Boosting is a back-up feature that provides hot water during poor weather periods.

The electric boosted models will provide a specified boost volume (see table), with larger models designed to suit larger hot water loads. The gas boosted models feature an inline 6-star 24L/min continuous flow gas booster, which only turns on to heat water when the water temperature flowing through it is less than 60°C.

COMES ON STEADY, HOT AND STRONG

INSTALL A



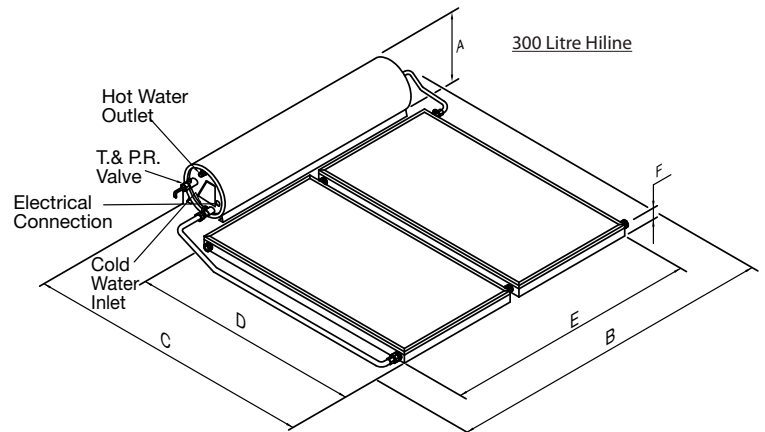
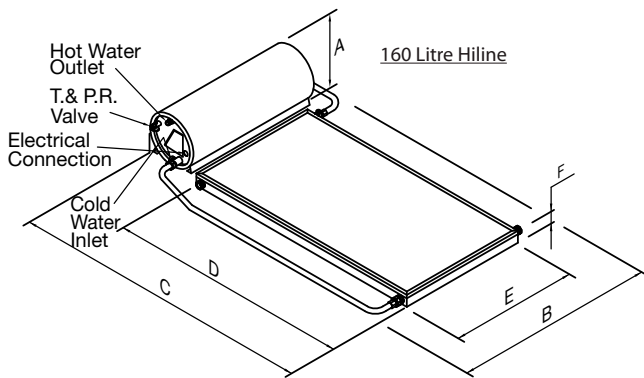


RHEEM HILINE® SOLAR WATER HEATER

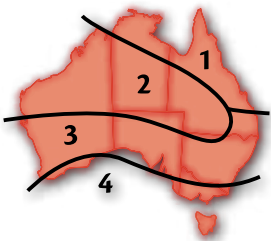
GAS

ELECTRIC

MODEL		52S160/1NPT-G	52S300/2NPT-G	52S160/1NPT	52S300/2NPT
Storage Capacity	L	160	300	160	300
Solar Collectors	NPT200	1	2	1	2
Booster Type		Gas – Remote	Gas – Remote	Electric	Electric
Boost Capacity	L	24L/min	24L/min	80	160
People Per Household		1-3	2-5	1-2	2-5
Dimensions & Specifications					
Height (A)	mm	540	540	540	540
Width (B)	mm	1138	2198	1138	2198
Depth (C)	mm	2490	2490	2490	2490
Collector Depth (D)	mm	1937	1937	1937	1937
Collector Width (E)	mm	1022	2094	1022	2094
Collector Height (F)	mm	79	79	79	79
Weight Empty – Tank	kg	70	100	70	100
Weight Full – Tank	kg	230	400	230	400
Weight Empty – Solar Collectors	kg	39	78	39	78
Weight Full – Solar Collectors	kg	41	82	41	82



STCs



Rheem SOLARSAVERS

Small-scale Technology Certificates (STCs) are a financial incentive to encourage the installation of solar water heaters provided under a Federal Government operated scheme.

This map shows the climate Zones within Australia which will define the number of STCs allocated to an approved solar water heater.

To claim your STC entitlement, simply complete the STC Assignment form. Visit www.rheemsolarsavers.com.au to find out how many STCs apply to Rheem Hiline® by zone and to download the STC Assignment form.

State Government rebates may also apply.

* Warranty Conditions. 5 year cylinder and solar collectors, 3 year labour on cylinder, 1 year parts including labour. Applies to domestic installations only. Conditions apply. See the Rheem warranty set out in the Owner's Guide & Installation Instructions or view at www.rheem.com.au/warranty. Amended warranty may apply where a government rebate has been received for the solar water heater. Phone 131 031 for details.

¹ Energy reduction of up to 65% based on Australian Government Approved TRNSYS simulation modelling and apply when replacing an electric water heater with a Rheem solar water heater in zone 3.

² Any financial savings will vary depending upon type of Rheem Solar system installed, orientation and inclination of the solar collectors, type of water heater being replaced, hot water consumption and fuel tariff. Maximum financial savings off your hot water bill are achievable when replacing an electric water heater on continuous tariff.

³ Electric boost models only.

**Eligibility criteria apply. STCs apply according to zones and are subject to change. Government rebates and incentives may apply and are subject to change.

Materials and specifications are subject to change without notice.

[®] Registered Trademark of Rheem Australia Pty Ltd.

[™] Trademark of SAI Global.



Rheem Australia Pty Ltd.

1 Alan Street, Rydalmere, New South Wales 2116, Australia
PO Box 6, Rydalmere, New South Wales 2116, Australia.

RHEEM MK_Hiline Spec_07/13

