

SRP-6PB SERIES 6 INCH 60 CELLS

# 265-280w



## KEY FEATURES



Bankable products



Safety for salt mist corrosion (IEC61701, tested in TÜV SÜD)



Safety for ammonia corrosion (IEC62716, tested in TÜV SÜD)



Top rank in Photon yield measurement



Safety for fire risk (Class C tested in TÜV SÜD and Rheinland)



Outstanding power output capability at low irradiance



Triple 100% Electroluminescence (EL) tests minimize breakage rate



World 1st company to pass "Thresher Test" and "On-site Power Measurement Validation" certificate



Anti-PID products, passing TÜV SÜD system voltage durability test

### MANAGEMENT SYSTEM

ISO 9001: Quality management system

ISO 14001: Standard for environmental management system

OHSAS 18001: International standard for occupational health and safety assessment system

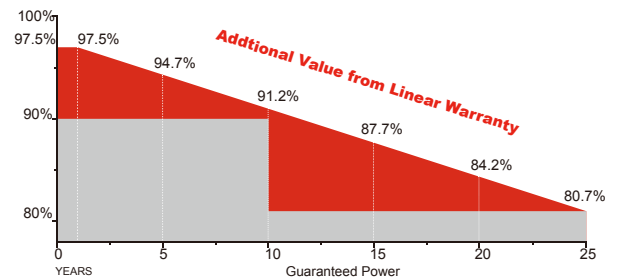
### INSURANCE



### PRODUCT CERTIFICATES



### WARRANTY



Guarantee on product material and workmanship



linear power output warranty

Specifications are subject to change without further notification SRP-DS-EN-2018V2.0 © Copyright 2018 Seraphim

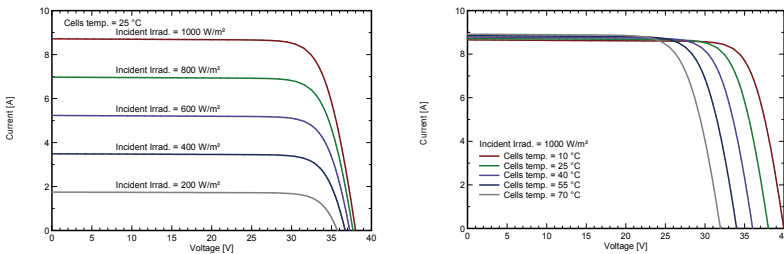
**Electrical Characteristics**

Module Type	SRP-265-6PB		SRP-270-6PB		SRP-275-6PB		SRP-280-6PB	
	STC	NOCT	STC	NOCT	STC	NOCT	STC	NOCT
Maximum Power -P <sub>mp</sub> (W)	265	196	270	200	275	203	280	206
Open Circuit Voltage -V <sub>oc</sub> (V)	38.3	35.3	38.5	35.5	38.8	35.7	39.0	35.9
Short Circuit Current -I <sub>sc</sub> (A)	8.83	7.14	8.94	7.22	9.02	7.29	9.12	7.36
Maximum Power Voltage -V <sub>mp</sub> (V)	31.1	29.1	31.3	29.3	31.6	29.5	31.8	29.7
Maximum Power Current -I <sub>mp</sub> (A)	8.53	6.74	8.63	6.83	8.71	6.88	8.81	6.94
Module Efficiency STC-η <sub>m</sub> (%)	16.29		16.6		16.9		17.2	
Power Tolerance (W)	(0,+4.99)							
Maximum System Voltage (V)	1000 (TÜV)							
Maximum Series Fuse Rating (A)	15							
Pmax Temperature Coefficient	-0.41%/°C							
Voc Temperature Coefficient	-0.32 %/°C							
Isc Temperature Coefficient	+0.05 %/°C							
Operating Temperature	-40~+85 °C							
Nominal Operating Cell Temperature	45±2 °C							

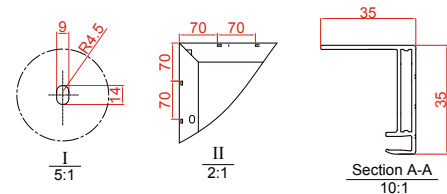
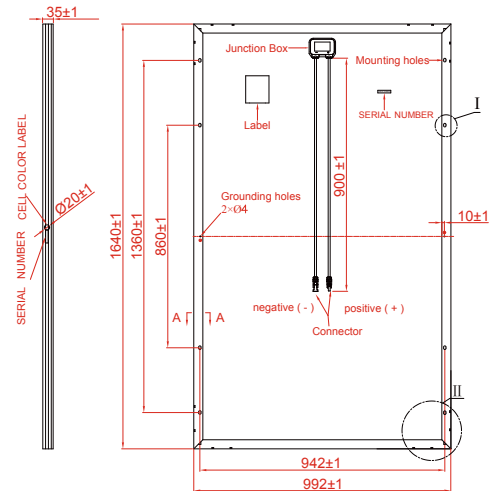
STC: Irradiance 1000 W/m<sup>2</sup> module temperature 25°C AM=1.5

NOCT: Irradiance 800 W/m<sup>2</sup> ambient temperature 20°C wind speed :1m/s Power measurement tolerance: +/-3%

**Curve**



**Technical drawing**



**Mechanical Specifications**

External Dimension	1640 x 992 x 35mm
Weight	17.5kg
Solar Cells	Poly crystalline 156.75 x 156.75 mm (60pcs)
Glass of Both Side	3.2 mm tempered glass, low iron
Frame	Anodized aluminium alloy
Junction Box	IP67
Output Cables	4.0 mm <sup>2</sup> , cable length:900 mm
Connector	MC4 Compatible
Mechanical Load	5400 Pa

**Packing Configuration**

External Dimension	1640 x 992 x 35mm	
Container	20'GP	40'GP
Pieces per Pallet	30	30
Pallets per Container	12	28
Pieces per Container	360	840

\* All Dimensions in mm

\* The above drawing is a graphical representation of the product. For engineering quality drawings please contact SERAPHIM.